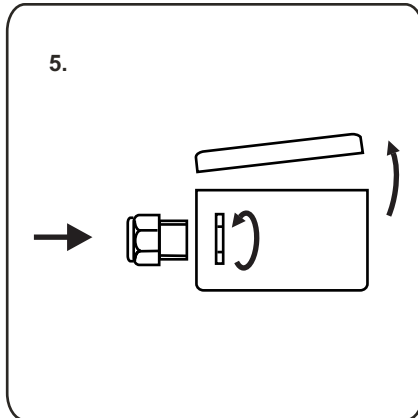
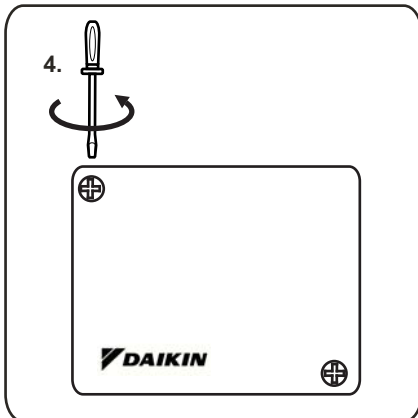
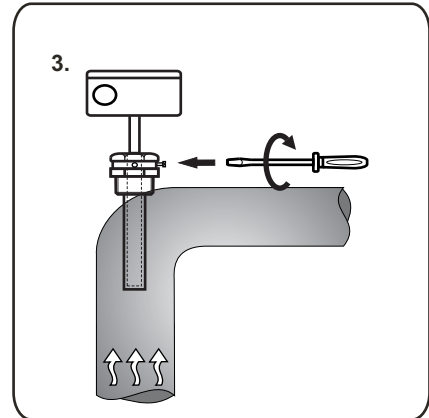
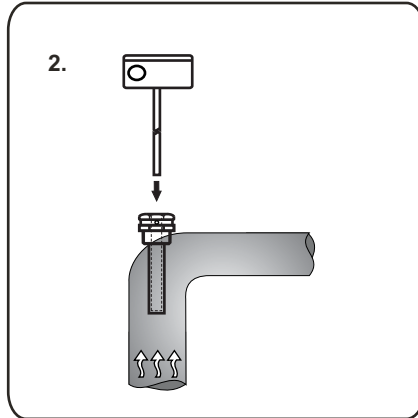
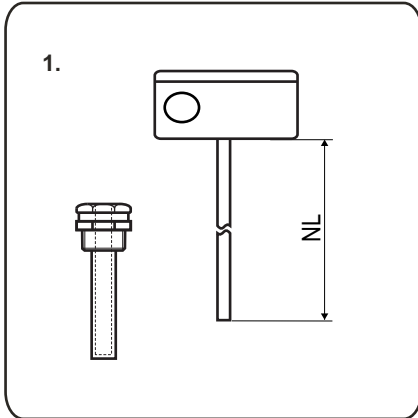


STP500

Installation

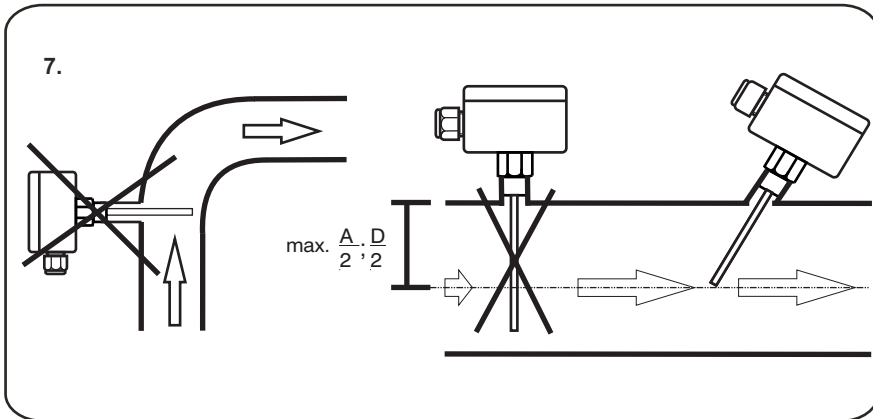
Immersion pipe temperature sensor
 Dykrörs temperaturgivare
 Einschraubtemperatursensor
 Sonde de plonge
 Sensor de temperatura entomillado
 Sensore temperatura testa DIN

Instruction
 Montageanvisning
 Bedienungsanleitung
 Instructions d'installation
 Instrucciones de empleo
 Istruzioni per installazioni



STP500 \triangleq NTC 10 k Ω

Attention! Measurement current: < 2.0 mW
 OBS! Mätström: < 2.0 mW
 Achtung! Messstrom: < 2.0 mW
 Attention! Courant de mesure: < 2.0 mW
 Atención! Corriente de medida: < 2.0 mW
 Attenzione! Corrente di misura: < 2.0 mW



8.

Attention! Unscrew terminal block before connecting wires.

OBS! Lossa plintskruven innan du ansluter.

Achtung! Vor dem Anschließen Klemmblock lösen.

Attention! Avant la connexion bornier dissoudre.

Atención! Antes de conectar suelte el bloque de terminales.

Attenzione! Prima di conettere avvitare il morsetto.

9.

Attention! Permissible air humidity: < 95 % r. H., non-condensing air

OBS! Tillåten luftfuktighet: < 95% r.H., icke-kondenserande luft

Achtung! Zulässige Luftfeuchte: < 95% r.H., nicht kondensierende Luft

Attention! Humidité d'air admissible: < 95% r.H., sans condensation de l'air

Atención! Humedad del aire admisible: < 95% r.H., aire sin condensación

Attenzione! Umidità l'aria ammissibile: < 95% r.H., aria non condensante

STP500

Installation



Immersion pipe temperature sensor
 Dykrörs temperaturgivare
 Einschraubtemperatursensor
 Sonde de plonge
 Sensor de temperatura entomillado
 Sensore temperatura testa DIN

Instruction
 Montageanvisning
 Bedienungsanleitung
 Instructions d'installation
 Instrucciones de empleo
 Istruzioni per installazioni



部件名称 Part Name	有害物 - Hazardous Substances					
	(Pb)	汞 (Hg)	(Cd)	六价 (Cr (VI))	多溴 苯 (PBB)	多溴二苯醚 (PBDE)
金属部件 Metal parts	X	○	○	○	○	○
塑料部件 Plastic parts	○	○	○	○	○	○
子件 Electronic	○	○	○	○	○	○
触点 Contacts	○	○	○	○	○	○
和 附件 Cables & cabling accessories	○	○	○	○	○	○

本表格依据SJ/T11364的 定 制。

O: 表示 有害物 在 部件所有均 材料中的含量均在GB/T 26572 定的限量要求以下。

X: 表示 有害物 至少在 部件的某一均 材料中的含量超出GB/T 26572 定的限量要求。

(企 可在此处，根据实 情况对上表中打的技术原因 行 一步 明。)



This table is made according to SJ/T 11364.

O: indicates that the concentration of hazardous substance in all of the homogeneous materials for this part is below the limit as stipulated in GB/T 26572.

X: indicates that concentration of hazardous substance in at least one of the homogeneous materials used for this part is above the limit as stipulated in GB/T 26572