



AIR HANDLING UNIT

Supreme Air



AIR HANDLING UNIT

Supreme Air

Model :
ADM 0404 - 2233

Cooling Capacity :
1, 369CFM - 41, 302CFM

Refrigerant :
R22, R407C, R410A



The Double Skin Modular Air Handling Unit is designed based on modular paneling concept to fulfill the indoor air quality requirement. Acson provides high quality, flexibility air handling unit which can provide excellent thermal efficiencies and to be airtight. Besides, air handling unit produced is with flexibility features to meet the indoor air quality, operating efficiency, sound level and installation requirement for today's extensive commercial and custom markets.

Features

● Eurovent Certification

Acson Air Handling Unit 50mm panel model is Eurovent certified. Eurovent Certification certifies the performance ratings of air-conditioning and refrigeration products according to European and international standards. The Certification Mark guarantees that the products have been submitted to independent checking and that they have been accurately rated.



● Casing/ Cabinet Construction

Acson Air Handling Unit is designed in accordance BS EN 1886. It is constructed of maximum 2.0mm high strength extruded aluminium pentapost and internal post with double modular skin insulation material. The patented frame channel design allows three identical pieces to be bolted together to form a composite corner piece. The unit wall is made up by Double Skin Polyurethane foam (PU) 25mm or 50mm insulation panel with 0.5mm high strength pre-painted steel as external skin and 0.5mm galvanized steel (GI) as internal skin.



● A Complete Line Of Accessories For Maximum Flexibility

With the modular paneling concept design, each unit can be configured to help you make the best possible use of your available space. Depending on its length, each shipping section can accommodate one, two, three or more components such as dampers, coils, filters or other accessories, giving you the opportunity to select a very compact unit that makes the most out of limited space. Or, if space is not at a premium, you can create a large clearance between components for a better accessibility during maintenance. All ADM Air Handling Units are designed from computer selection to help assure maximum performance from coils and fans.

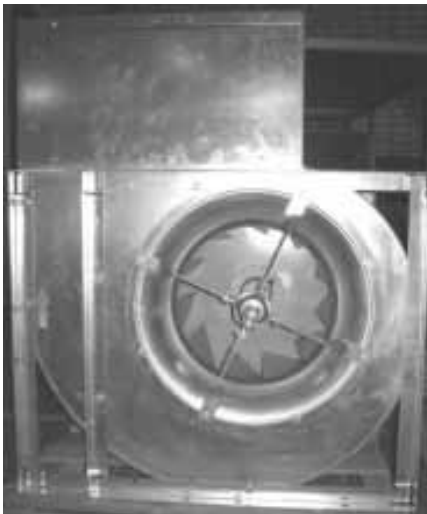
● Coil

Acson Air Handling Unit can be used for either chilled water system or direct expansion system application. Coils are designed based on application to meet the requirements.



● **Fan**

Each model of ADM Air Handling Unit has forward curved, backward curved & aerofoil fans for selection. With that, it will have the most wide range combination to achieve maximum performance for any requirement. Fan performance of all these fans have been tested and measured in accordance to AMCA standard 210.



● **Spring Or Rubber Isolator**

'The fan in a AHU can create substantial vibration that will transform to panels / casing and consequent widespread generation of sound waves. To avoid this, the spring or rubber isolator is mounted between the fan compartment and the rest of the AHU to prevent the transmission of noise and vibration into panels.

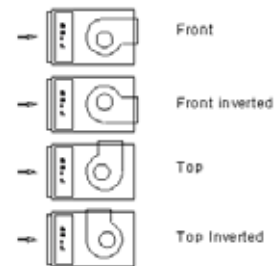
- There are two types of isolators are used:
- Rubber mounting (for blower <= model 355)
 - 25mm deflection spring (for blower > model 355)"



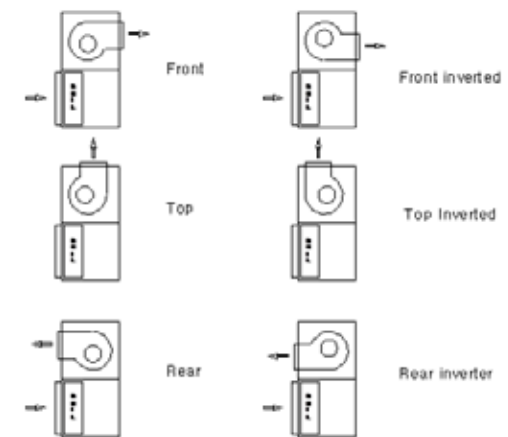
● **Discharge Direction**

These are two discharges direction: vertical and horizontal discharge. The fan discharge should be square (for both forward or backward curved fans) in area and flanged and isolated from the casing by the fire retardant grade flexible connection. Only one fan discharge is provided.

Horizontal Arrangement Unit.



Vertical Arrangement Unit.



● Peace of Mind Service

With nationwide service points, there must be one around you to provide fast and reliable service when assistance is needed.



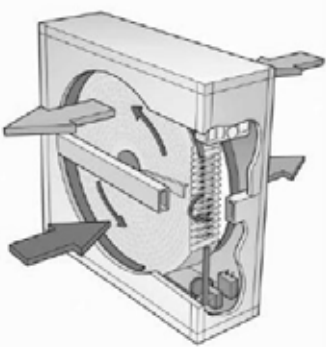
● Optional Add Ons

- VFD/ Frequency Inverter

A VFD provides adjustable speed control of a single fan motor. Normally, an AHU which has been installed by VFD can vary the frequency within 30 to 60 Hz in order to control the motor rotation speed. It also provides protection for the motor operation.

- Heat Recovery Wheel

It is constructed of aluminium coated with heat transfer material (silica gel or others) which is rotated by an electric motor at constant or variable speed. It can reduce the capacity of ventilation equipment. Furthermore, heat wheels can work at lower temperature without frosting occurs. The benefit includes recover both latent and sensible heat by allowing reduction in system capacity about 30 to 65%. The most significant benefit is to prevent sick building syndrome.



- Humidifier

It is a device which is used to increase the air relative humidity in atmosphere without steam source. It is a constant temperature humidifier. Its principle is the common electrode humidifier regulates the generated steam by the way of controlling water level and electrical current.

- Electrical Heater

It is used to achieve desired room condition at certain desired relative humidity. With negligible air pressure drop, accurate controllability, light weight, easy serviceability and inherent freeze protection, electrical heater is valuable alternatives to conventional steam and hot water heating coils.

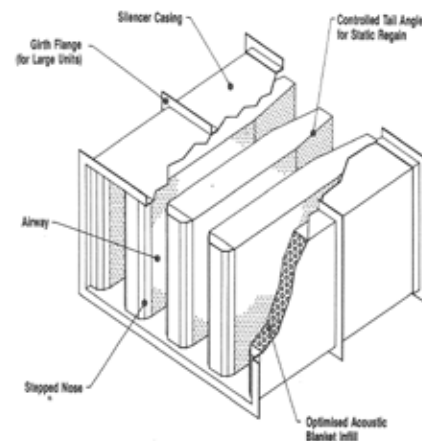
- Mixing Box

It is an air inlet section to mix fresh and return air according to the system designer's requirement. It can regulate the amount of outside and return air supplied to the conditioned space.



- Sound Attenuator

Sound level will be an essential factor to be considered as one of the performance of units. Acson product has been designing to provide the quietest sound level. Different attenuator length can be selected to meet the most stringent sound attenuation requirements. A comfortable surrounding enhances human's working and living life.



- Other optional accessories like UV Light, Differential Pressure Gauge, Incandescent Lamp & View Port are available upon request.

SPECIFICATIONS

Primary Filter



AmAir 300E

Secondary Filter



DriPak® 2000

Secondary Filter



BioCel® I

HEPA Filter



AstroCel® I

QUICK AIR FILTER SELECTION GUIDE

Classification as per EN 779

| EN 779 Class | G1 | G2 | G3 | G4 |
|-------------------------|---------|--------------|--------------|--------------------------|
| Average Arrestance, Am% | Am < 65 | 65 ≤ Am ≤ 80 | 80 ≤ Am ≤ 90 | 90 ≤ Am |
| Recommended Filter | - | AmerTex R15 | AmerTex R29 | AmAir 300 AmerTex R50 |

Table 1: Filter Arrestance for Coarse filters in Class G1-G2

| EN 779 Class | F5 | F6 | F7 | F8 | F9 |
|-------------------------|--------------|--------------|-----------------------------|-----------------------------|-----------|
| Average Efficiency, Em% | 40 ≤ Em ≤ 60 | 60 ≤ Em ≤ 80 | 80 ≤ Em ≤ 90 | 90 ≤ Em ≤ 95 | 95 ≤ Em |
| Recommended Filter | - | - | DriPak® 2000 Varicel® II | DriPak® 2000 Varicel® II | BioCel® I |

Table 2: Filter Arrestance for Coarse filters in Class F5-F9

Classification as per EN 1822

| EN 1822 Class | H 10 | H 11 | H 12 | H 13 | H 14 |
|-------------------------|-----------|-----------|---------|-------------|----------|
| Efficiency (% at 0.3µm) | > 95 | > 98 | > 99.99 | > 99.997 | > 99.999 |
| Efficiency (% at MPPS) | > 85 | > 95 | > 99.5 | > 99.95 | > 99.995 |
| Recommended Filter | BioCel® I | BioCel® I | - | AstroCel® I | - |

Table 3: Filter Efficiency for HEPA Filters Class H10-H14

STANDARD UNITS QUICK SELECTION TABLE

a. Return Air

| UNIT SIZE | Air Flow | ESP | 4-ROWS COOLING COIL | | | | 1-ROW HEATING COIL | | | MOTOR kW |
|-----------|----------|-----|---------------------|-------|------------|-------|--------------------|------------|-------|----------|
| | CFM | Pa | S.C | T.C | Water flow | WPD | T.C | Water flow | WPD | |
| | | | kW | kW | lps | kPa | kW | lps | kPa | |
| 404 | 1,370 | 300 | 7.3 | 7.7 | 0.37 | 0.27 | 4.7 | 0.11 | 0.04 | 0.75 |
| 407 | 2,177 | 300 | 12.6 | 15 | 0.71 | 1.16 | 8.8 | 0.21 | 0.19 | 1.1 |
| 410 | 2,985 | 300 | 18 | 22.7 | 1.08 | 3.04 | 13.1 | 0.32 | 0.48 | 1.5 |
| 413 | 3,793 | 300 | 22.7 | 30.8 | 1.47 | 6.25 | 17.3 | 0.42 | 0.95 | 2.2 |
| | | | | | | | | | | |
| 707 | 3,540 | 300 | 20.4 | 24.4 | 1.16 | 1.16 | 14.3 | 0.35 | 0.19 | 2.2 |
| 710 | 4,853 | 300 | 32.1 | 42.9 | 2.04 | 4.82 | 24.8 | 0.6 | 0.76 | 2.2 |
| 713 | 6,165 | 300 | 38.4 | 50 | 2.38 | 6.26 | 28.1 | 0.69 | 0.95 | 3 |
| 715 | 7,041 | 300 | 44.5 | 26 | 2.79 | 9.21 | 32.8 | 0.8 | 1.39 | 3.7 |
| | | | | | | | | | | |
| 1010 | 6,718 | 350 | 41.9 | 54.5 | 2.6 | 6.98 | 29.5 | 0.72 | 0.48 | 4 |
| 1013 | 8,535 | 350 | 54.7 | 72.9 | 3.47 | 14.01 | 39 | 0.95 | 0.95 | 5.5 |
| 1015 | 9,748 | 350 | 68.4 | 96 | 4.57 | 30.53 | 52.2 | 1.27 | 2.16 | 4 |
| 1019 | 12,171 | 350 | 80 | 109.3 | 5.21 | 38.05 | 58.8 | 1.43 | 0.65 | 7.5 |
| 1021 | 13,381 | 350 | 88.7 | 122.1 | 5.82 | 50.05 | 65.8 | 1.6 | 3.5 | 7.5 |
| | | | | | | | | | | |
| 1315 | 11,912 | 350 | 75.3 | 99.2 | 4.72 | 9.2 | 55.4 | 1.35 | 1.39 | 7.5 |
| 1319 | 14,874 | 350 | 95.3 | 127.1 | 6.05 | 17.09 | 71.8 | 1.75 | 2.64 | 7.5 |
| 1321 | 16,356 | 350 | 106.1 | 143.3 | 6.83 | 22.83 | 81.4 | 1.96 | 3.5 | 11 |
| | | | | | | | | | | |
| 1519 | 16,226 | 450 | 103.9 | 138.6 | 6.6 | 17.09 | 78.3 | 1.91 | 2.65 | 11 |
| 1521 | 17,842 | 450 | 115.8 | 156.3 | 7.45 | 22.83 | 87.7 | 2.14 | 3.5 | 11 |
| | | | | | | | | | | |
| 1819 | 20,284 | 500 | 129.9 | 178.8 | 8.26 | 17.09 | 97.9 | 2.39 | 2.65 | 15 |
| 1821 | 22,302 | 500 | 144.7 | 195.4 | 9.31 | 22.83 | 109.6 | 2.67 | 3.5 | 15 |
| 1823 | 24,323 | 500 | 167.1 | 232.5 | 11.07 | 38.25 | 130.2 | 3.17 | 5.88 | 15 |
| 1827 | 28,361 | 500 | 187.2 | 256.7 | 12.23 | 45.29 | 141.9 | 3.46 | 6.81 | 18.5 |
| | | | | | | | | | | |
| 2027 | 30,252 | 750 | 188.6 | 245.3 | 11.69 | 5.69 | 151.4 | 3.69 | 6.8 | 22 |
| 2233 | 41,302 | 750 | 262.1 | 346.9 | 16.52 | 10.08 | 210.3 | 5.12 | 11.71 | 37 |

For Cooling Coil: EDB = 27deg. C, EWB = 19.5 deg. C, EWT = 7 deg. C, LWT = 12deg. C

For Heating Coil: EDB = 21 deg. C, EWT = 60 deg. C, LWT = 50 deg. C

STANDARD UNITS QUICK SELECTION TABLE

b. Fresh Air

| UNIT SIZE | Air Flow | ESP | 4-ROWS COOLING COIL | | | | 1-ROW HEATING COIL | | | MOTOR kW |
|-----------|----------|-----|---------------------|-------|------------|-------|--------------------|------------|-------|----------|
| | CFM | Pa | S.C | T.C | Water flow | WPD | T.C | Water flow | WPD | |
| | | | kW | kW | lps | kPa | kW | lps | kPa | |
| 404 | 1,370 | 300 | 11.6 | 27.8 | 1.32 | 1.17 | 9.1 | 0.22 | 0.13 | 1.1 |
| 407 | 2,177 | 300 | 20.6 | 50.6 | 2.41 | 4.6 | 15.9 | 0.39 | 0.51 | 1.5 |
| 410 | 2,985 | 300 | 29.5 | 73 | 3.48 | 11.07 | 23 | 0.56 | 1.24 | 2.2 |
| 413 | 3,793 | 300 | 38.7 | 96.1 | 4.58 | 21.7 | 30.2 | 0.74 | 2.45 | 2.2 |
| | | | | | | | | | | |
| 707 | 3,540 | 300 | 33.5 | 82.3 | 3.92 | 4.6 | 25.8 | 0.63 | 0.51 | 2.2 |
| 710 | 4,853 | 300 | 48 | 118.6 | 5.65 | 11.08 | 37.4 | 0.91 | 1.24 | 3 |
| 713 | 6,165 | 300 | 63 | 156.2 | 7.44 | 21.71 | 49.1 | 1.2 | 2.45 | 3 |
| 715 | 7,041 | 300 | 72.7 | 180.5 | 8.6 | 31.17 | 57.1 | 1.39 | 3.56 | 3.7 |
| | | | | | | | | | | |
| 1010 | 6,718 | 350 | 69.4 | 172.2 | 8.2 | 36.4 | 51.7 | 1.26 | 1.24 | 4 |
| 1013 | 8,535 | 350 | 87.2 | 216.2 | 10.2 | 21.7 | 68 | 1.66 | 2.45 | 5.5 |
| 1015 | 9,748 | 350 | 109.6 | 273.1 | 13.01 | 44.22 | 88.2 | 2.15 | 5.27 | 5.5 |
| 1019 | 12,171 | 350 | 132 | 330.1 | 15.72 | 66.52 | 105.2 | 2.56 | 7.77 | 5.5 |
| 1021 | 13,381 | 350 | 142.6 | 355 | 16.91 | 75.25 | 110.2 | 2.69 | 8.41 | 7.5 |
| | | | | | | | | | | |
| 1315 | 11,912 | 350 | 123 | 305.4 | 14.54 | 31.16 | 96.5 | 2.35 | 3.56 | 7.5 |
| 1319 | 14,874 | 350 | 156.8 | 390.1 | 18.58 | 57.63 | 122.5 | 2.99 | 6.56 | 11 |
| 1321 | 16,356 | 350 | 174.3 | 433.9 | 20.67 | 75.25 | 134.7 | 3.28 | 8.42 | 11 |
| | | | | | | | | | | |
| 1519 | 16,226 | 450 | 171.7 | 425.6 | 20.27 | 57.63 | 133.7 | 3.26 | 6.56 | 11 |
| 1521 | 17,842 | 450 | 190.1 | 473.3 | 22.54 | 75.25 | 147 | 3.58 | 8.41 | 11 |
| | | | | | | | | | | |
| 1819 | 20,284 | 500 | 213.9 | 532 | 25.34 | 57.64 | 167.1 | 4.07 | 6.56 | 15 |
| 1821 | 22,302 | 500 | 237.6 | 591.6 | 28.18 | 75.25 | 183.7 | 4.48 | 8.41 | 15 |
| 1823 | 24,323 | 500 | 259.1 | 645.1 | 30.73 | 94.35 | 203.6 | 4.96 | 10.87 | 15 |
| 1827 | 28,361 | 500 | 305.5 | 769.9 | 36.25 | 144 | 237.5 | 5.79 | 16.32 | 18.5 |
| | | | | | | | | | | |
| 2027 | 30,252 | 750 | 325.9 | 811.5 | 38.66 | 144 | 253.3 | 6.17 | 16.32 | 30 |
| 2233 | 41,302 | 750 | 449.4 | 1120 | 53.36 | 244.2 | 351.4 | 8.56 | 28 | 37 |

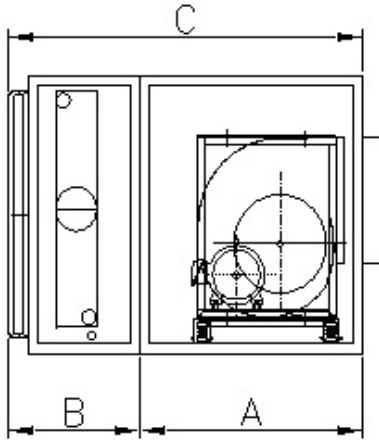
For Cooling Coil: EDB = 34deg. C, EWB = 28 deg. C, EWT = 7 deg. C, LWT = 12deg. C

For Heating Coil: EDB = 0 deg. C, EWT = 60 deg. C, LWT = 50 deg. C



OUTLINE AND DIMENSION

a. Horizontal Typical Configuration



| Model | 404 | 407 | 410 | 413 | 707 | 710 | 713 | 715 | 1010 | 1013 | 1015 | 1019 | 1021 | 1315 |
|--------|-------|-------|-------|-------|-------|-------|-------|-------|-------|-------|-------|--------|--------|--------|
| CFM | 1,370 | 2,178 | 2,986 | 3,793 | 3,541 | 4,853 | 6,166 | 7,042 | 6,719 | 8,537 | 9,750 | 12,173 | 13,384 | 11,914 |
| LPS | 646 | 1,027 | 1,408 | 1,789 | 1,670 | 2,289 | 2,908 | 3,321 | 3,169 | 4,026 | 4,598 | 5,741 | 6,312 | 5,619 |
| Height | 800 | 800 | 800 | 800 | 1,100 | 1,100 | 1,100 | 1,100 | 1,400 | 1,400 | 1,400 | 1,400 | 1,400 | 1,700 |
| Width | 800 | 1,100 | 1,400 | 1,700 | 1,100 | 1,400 | 1,700 | 1,900 | 1,400 | 1,700 | 1,900 | 2,300 | 2,500 | 1,900 |

| | | | | | | | | | | | | | | |
|---|-------|-------|-------|-------|-------|-------|-------|-------|-------|-------|-------|-------|-------|-------|
| A | - | - | - | - | - | - | - | - | - | - | - | - | - | - |
| B | - | - | - | - | - | - | - | - | - | - | - | - | - | - |
| C | 1,600 | 1,600 | 1,700 | 1,700 | 1,700 | 1,700 | 1,900 | 1,900 | 1,900 | 1,900 | 2,100 | 2,100 | 2,100 | 2,100 |

| Model | 1319 | 1321 | 1519 | 1521 | 1819 | 1821 | 1823 | 1827 | 2027 | 2033 | 2233 | 2239 | 2539 |
|--------|--------|--------|--------|--------|--------|--------|--------|--------|--------|--------|--------|--------|--------|
| CFM | 14,877 | 16,359 | 16,229 | 17,846 | 20,288 | 22,307 | 24,327 | 28,367 | 30,258 | 36,720 | 41,310 | 48,584 | 52,660 |
| LPS | 7,016 | 7,715 | 7,654 | 8,416 | 9,568 | 10,520 | 11,473 | 13,378 | 14,270 | 17,318 | 19,482 | 22,913 | 24,835 |
| Height | 1,700 | 1,700 | 1,900 | 1,900 | 2,200 | 2,200 | 2,200 | 2,200 | 2,400 | 2,400 | 2,600 | 2,600 | 2,900 |
| Width | 2,300 | 2,500 | 2,300 | 2,500 | 2,300 | 2,500 | 2,700 | 3,100 | 3,100 | 3,700 | 3,700 | 4,300 | 4,300 |

| | | | | | | | | | | | | | |
|---|-------|-------|-------|-------|-------|-------|-------|-------|-------|-------|-------|--------------------|--------------------|
| A | - | 1,600 | 1,600 | 1,600 | 1,600 | 1,800 | 1,800 | 2,000 | 2,000 | 2,200 | 2,200 | 2,200 ⁵ | 2,200 ⁵ |
| B | - | 700 | 700 | 700 | 700 | 700 | 700 | 700 | 700 | 700 | 700 | 700 | 700 |
| C | 2,100 | 2,300 | 2,300 | 2,300 | 2,300 | 2,500 | 2,500 | 2,700 | 2,700 | 2,900 | 2,900 | 2,900 | 2,900 |

Note:

- 1) Please add 100mm for model using coil (8 Row & above)
- 2) The dimensions are subject to change without any notice for future improvement.
- 3) Dimensions in mm.
- 4) Please add 50mm length on the individual section width, depth and height if using the 50mm insulation panel.
- 5) For blower model 1250, section size will be 2600

FILTER SPECIFICATION

a. Standard Filter

| MODEL | Filter Media Size and Quantity | | | | | | | | | |
|-------|--------------------------------|------------------------|-----------|------------------------|------------------------------|------------------------|------------------------|-----------|------------------------|------------------------------|
| | Sliding Filter Frame | | | | | Universal Filter Frame | | | | |
| | 24" x 24" | | 24" x 12" | | Total Area (m ²) | 24" x 24" | | 24" x 12" | | Total Area (m ²) |
| | Qty | Area (m ²) | Qty | Area (m ²) | | Qty | Area (m ²) | Qty | Area (m ²) | |
| 404 | 1 | 0.37 | 0 | 0 | 0.37 | 1 | 0.37 | 0 | 0 | 0.37 |
| 407 | 1 | 0.37 | 1 | 0.19 | 0.56 | 1 | 0.37 | 1 | 0.19 | 0.56 |
| 410 | 2 | 0.74 | 0 | 0 | 0.74 | 2 | 0.74 | 0 | 0 | 0.74 |
| 413 | 2 | 0.74 | 1 | 0.19 | 0.93 | 2 | 0.74 | 1 | 0.19 | 0.93 |
| 707 | 1 | 0.37 | 2 | 0 | 0.74 | 1 | 0.37 | 2 | 0 | 0.74 |
| 710 | 2 | 0.74 | 2 | 0.19 | 1.11 | 2 | 0.74 | 2 | 0.19 | 1.11 |
| 713 | 2 | 0.74 | 3 | 0.37 | 1.3 | 2 | 0.74 | 3 | 0.37 | 1.3 |
| 715 | 3 | 1.11 | 3 | 0.37 | 1.67 | 3 | 1.11 | 3 | 0.37 | 1.67 |
| 1010 | 4 | 1.49 | 0 | 0.56 | 1.49 | 4 | 1.49 | 0 | 0.56 | 1.49 |
| 1013 | 4 | 1.49 | 2 | 0.56 | 1.86 | 4 | 1.49 | 2 | 0.56 | 1.86 |
| 1015 | 6 | 2.23 | 0 | 0 | 2.23 | 6 | 2.23 | 0 | 0 | 2.23 |
| 1019 | 6 | 2.23 | 2 | 0.37 | 2.6 | 6 | 2.23 | 2 | 0.37 | 2.6 |
| 1021 | 8 | 2.97 | 0 | 0 | 2.97 | 8 | 2.97 | 0 | 0 | 2.97 |
| 1315 | 6 | 2.23 | 3 | 0.37 | 2.79 | 6 | 2.23 | 3 | 0.37 | 2.79 |
| 1319 | 6 | 2.23 | 5 | 0 | 3.16 | 6 | 2.23 | 5 | 0 | 3.16 |
| 1321 | 8 | 2.97 | 4 | 0.56 | 3.71 | 8 | 2.97 | 4 | 0.56 | 3.71 |
| 1519 | 6 | 2.23 | 5 | 0.93 | 3.16 | 6 | 2.23 | 5 | 0.93 | 3.16 |
| 1521 | 8 | 2.97 | 4 | 0.74 | 3.71 | 8 | 2.97 | 4 | 0.74 | 3.71 |
| 1819 | 9 | 3.34 | 3 | 0.56 | 3.9 | 9 | 3.34 | 3 | 0.56 | 3.9 |
| 1821 | 12 | 4.46 | 0 | 0 | 4.46 | 12 | 4.46 | 0 | 0 | 4.46 |
| 1823 | 12 | 4.46 | 0 | 0 | 4.46 | 12 | 4.46 | 0 | 0 | 4.46 |
| 1827 | 15 | 5.58 | 0 | 0 | 5.58 | 12 | 4.46 | 3 | 0.56 | 5.02 |
| 2027 | 15 | 5.58 | 5 | 0.93 | 6.51 | 12 | 4.46 | 7 | 1.3 | 5.76 |
| 2033 | 18 | 6.69 | 6 | 1.11 | 7.8 | 15 | 5.58 | 8 | 1.49 | 7.06 |
| 2233 | 24 | 8.93 | 0 | 0 | 8.93 | 20 | 7.43 | 4 | 0.74 | 8.18 |
| 2239 | 28 | 10.41 | 0 | 0 | 10.41 | 24 | 8.93 | 4 | 0.74 | 9.66 |
| 2539 | 28 | 10.41 | 7 | 1.3 | 11.71 | 24 | 8.93 | 10 | 1.86 | 10.78 |

b. HEPA Filter

| MODEL | HEPA Filter Size c/w Frame and Quantity/unit | | | | | |
|-------|--|------------------------|-----------|------------------------|-------|------------------------|
| | 24" x 24" | | 24" x 12" | | Total | |
| | Qty | Area (m ²) | Qty | Area (m ²) | Qty | Area (m ²) |
| 404 | 1 | 0.37 | 0 | 0 | 1 | 0.37 |
| 407 | 1 | 0.37 | 1 | 0.19 | 2 | 0.56 |
| 410 | 2 | 0.74 | 0 | 0 | 2 | 0.74 |
| 413 | 2 | 0.74 | 0 | 0 | 2 | 0.74 |
| 707 | 1 | 0.37 | 2 | 0.37 | 3 | 0.74 |
| 710 | 2 | 0.74 | 2 | 0.37 | 4 | 1.11 |
| 713 | 2 | 0.74 | 2 | 0.37 | 4 | 1.11 |
| 715 | 2 | 0.74 | 3 | 0.56 | 5 | 1.3 |
| 1010 | 4 | 1.49 | 0 | 0 | 4 | 1.49 |
| 1013 | 4 | 1.49 | 0 | 0 | 4 | 1.49 |
| 1015 | 4 | 1.49 | 2 | 0.37 | 6 | 1.86 |
| 1019 | 6 | 2.23 | 0 | 0 | 6 | 2.23 |
| 1021 | 6 | 2.23 | 2 | 0.37 | 8 | 2.6 |
| 1315 | 4 | 1.49 | 2 | 0.37 | 6 | 1.86 |
| 1319 | 6 | 2.23 | 0 | 0 | 6 | 2.23 |
| 1321 | 6 | 2.23 | 2 | 0.37 | 8 | 2.6 |
| 1519 | 6 | 2.23 | 3 | 0.56 | 9 | 2.79 |
| 1521 | 6 | 2.23 | 5 | 0.93 | 11 | 3.16 |
| 1819 | 9 | 3.34 | 0 | 0 | 9 | 3.34 |
| 1821 | 9 | 3.34 | 3 | 0.56 | 12 | 3.9 |
| 1823 | 12 | 4.46 | 0 | 0 | 12 | 4.46 |
| 1827 | 12 | 4.46 | 3 | 0.56 | 15 | 5.02 |
| 2027 | 12 | 4.46 | 7 | 1.3 | 19 | 5.76 |
| 2033 | 15 | 5.57 | 8 | 1.49 | 23 | 7.06 |
| 2233 | 15 | 5.57 | 8 | 1.49 | 23 | 7.06 |
| 2239 | 18 | 6.69 | 6 | 1.11 | 24 | 7.8 |
| 2539 | 24 | 8.92 | 0 | 0 | 24 | 8.92 |

Note:

1) Cabinet Depth 1200mm Distance filter to discharge opening 200mm



REAL POWER

Cooling . Protective . Durable



Acson Malaysia Sales & Service Sdn Bhd (129688-D)
Lot 4, Lorong 19/1A, Seksyen 19, 46300 Petaling Jaya,
Selangor Darul Ehsan, MALAYSIA.

Pilot Line : + 603 7964 8200
Customer Service Careline : + 603 7964 8388
Fax : + 603 7956 9907 / 9

Authorized Dealer:

Products manufactured in an ISO certified facility.
This document contains the most current product information as of this printing.
For the most up-to-date product information, please go to www.acson.com.my